

USER MANUAL

AQUA EZ[®]

Model: RPV5
Made in China



SAFETY WARNINGS & INSTRUCTIONS

Read and follow all instructions in this manual and on the equipment.

Failure to do so could result in severe or fatal injuries.

SAVE THESE INSTRUCTIONS

WARNING!

- This is not a TOY. Children should be kept out of reach from this electric vacuum and its accessories.
- Never allow children to operate this product.
- This electric vacuum is not intended for use by someone with reduced physical, sensory or mental capabilities, or a lack of experience and knowledge unless they have been given instructions concerning the appliance and are under supervision of the person responsible for their safety.
- Make sure the electric vacuum is fully immersed in water before initiating operation. The minimum water level required to operate the device must be above the switching knob of the electric vacuum when it is held vertically. The product is only intended to be used underwater in a pool or spa; any other use will void the warranty.
- The electric vacuum must only be supplied at safety extra low voltage in accordance to the marking applied on it.
- Maximum operating depth in water is 2 meters (6.5 ft).
- Maximum water temperature: 5°C (41°F) –40°C (104°F)
- Do not use this electric vacuum if any damage is detected.
- Replace damaged parts as soon as possible. Only use parts certified by the distributor or manufacturer.
- If an USB charging adaptor (not included) is used, make sure to connect it to the power source through a residual current device (RCD)/ a ground fault circuit interrupter (GFCI). If in doubt, consult a qualified, professional electrician.
- Disconnect the electric vacuum from the supply mains before carrying out any maintenance, such as cleaning the filter.
- The battery installed is a rechargeable Li-ion battery pack. Do not attempt to replace it.
- This electric vacuum should only be charged with the included USB cable.
- DO NOT handle the electric vacuum while it is charging with wet limbs and without shoes.
- You should not operate this electric vacuum while the pool is being used.
- DO NOT use this electric vacuum without an intact filter bag /filter cage in place, as the warranty will be voided as a result.
- Suction entrapment hazard: This electric vacuum generates suction. Do not allow hair, body, or any loose parts of your clothing to be in the suction range of the electric vacuum during its operation.
- Never insert body parts, clothing, or other objects into the openings and moving parts of the electric vacuum.
- DO NOT use this electric vacuum to pick up any toxic substances, flammable, or combustible liquids such as gasoline, nor in the presence of explosive or flammable fumes.
- Under no circumstances should you attempt to disassemble the electric vacuum and replace the impeller, motor, and battery by yourself.
- Never insert any object to make contact with the impeller.

CAUTION!

- DO NOT attempt to use the electric vacuum to clean anything other than your pool / spa.
- Use only original accessories delivered with this product.
- DO NOT use this electric vacuum right after pool-shocking. It is recommended to leave the pool circulating for at least 24-48 hours.
- Do not use this electric vacuum with another electric vacuum/cleaner simultaneously.
- Avoid picking up hard, sharp objects with this product. They may damage the electric vacuum and filter.
- Exercise caution when cleaning pool stairs.
- To avoid damaging the USB charging cable, do not carry the electric vacuum by the cable or tug the USB cable to disconnect it from the power source and product.
- Charging must be done indoors, in a well-ventilated area away from sunlight, children, heat, ignition sources, and within an ambient temperature range of 5°C (41°F) and 35°C (95°F).
- DO NOT leave the electric vacuum plugged in to the charger for over 10 hours.
- If the electric vacuum will not be used for an extended period, make sure it's switched off and use a damp cloth to clean and dry it and its accessories. Make sure to charge the electric vacuum to about 30% to 50% of the battery capacity before it is stored. Store in a well-ventilated area away from sunlight, heat, ignition sources, pool chemicals, and children. Recharge the electric vacuum every three months.

Above warnings and cautions are not intended to incorporate all possible instances for risks and / or severe injuries.

Pool / spa owners should always exercise extra caution and common sense when utilizing the product.

GETTING STARTED

IMPORTANT NOTE: Fully charge the electric vacuum before using it for the first time.

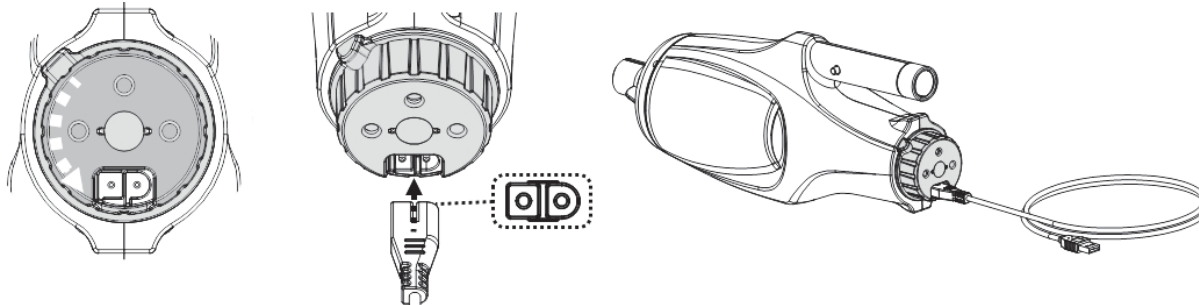
Charging the battery

NOTE: It requires an USB charging adaptor (not provided) with a safety output of 5.0V DC and 1.0A. For EU market, a CE-certificated USB charging adaptor shall be used. For US and Canada market, limited power source (LPS) or Class 2 type adaptor certificated by North America standards (such as UL 60950-1, CSA C22.2 No. 60950-1, UL 1310 and C22.2 No. 223) shall be used.

WARNING!

- Do not use the USB charging cable / USB charging adaptor if any damage is detected.
- Make sure both the electric vacuum and the charging port are clean and dry before charging them.
- Refer to the instruction manual of USB charging adaptor (not included) for instructions concerning safety and operation.

1. Place the unit on a flat surface. Turn the switching knob counterclockwise until it stops and completely exposes the charging port. Align and insert the USB charging cable into the charging port.



2. Connect the USB charging cable to the charging adaptor, then plug the charging adaptor to the power source.

NOTE

- Charge the electric vacuum completely (about 7-8 hours) before using it for the first time.
- Always disconnect the USB charging adaptor from the power source as soon as charging is complete.
- Immediately turn the power off and disconnect the USB charging adaptor from the power source if you detect any of the following conditions:
 - Offensive or unusual odor
 - Excessive heat
 - Deformation, cracks, leaks
 - Smoke

1. Connect the USB charging adaptor to the power source. Once the electric vacuum begins charging, the indicator light at the end of the vacuum will turn red. Normally, it takes about 4.5 - 6 hours to reach a full charge. The indicator light will turn green once the electric vacuum is almost fully charged.
2. When charging is complete, disconnect the charging adaptor from the power source and unplug the USB cable from the adaptor and electric vacuum.

Normally, the electric vacuum can operate up to 30 minutes on a full charge (after 4.5-6 hours of charging)

Note: Clean the filter regularly. Excessive debris inside the filter will increase burden to the motor operation and shorten the operating duration as a result.

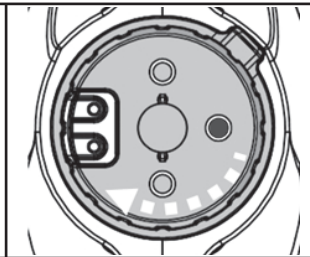
NOTE: Rechargeable lithium-ion battery is classified as a consumable item. It has a limited life and will gradually lose its capacity to hold a charge. Therefore, the running time of the electric vacuum will gradually reduce after repeated charging and discharging throughout its product life.

NOTE: Let the electric vacuum rest for 30 to 40 minutes before charging it again.

OPERATION

Before immersing the electric vacuum in water, turn the switching knob clockwise until it comes to a halt (you will hear a 'click') to expose the two water-sensing pins and a green dot on the right side. As soon as both pins make contact with water, the motor will start running. Similarly, it will stop as soon as the pins are no longer in contact with water.

NOTE: Never attempt to make contact with both pins with anything other than clean water.



CAUTION

- DO NOT cover the side slot (middle gap) of the electric vacuum during operation, the impeller / motor may be damaged otherwise.
- Remove the electric vacuum from the pool/spa as soon as cleaning is complete.

CAUTION! Make sure the electric vacuum is always pointing downwards when it is placed into the pool. Otherwise, the pole connector may be bent and damaged as a result.

To retrieve the electric vacuum from the pool / spa, lift the electric vacuum while pointing it downwards in order to allow water to discharge.

Rinse the electric vacuum with fresh water after every use. DO NOT use any detergent.

EMPTYING THE FILTER

WARNING! Using the electric vacuum without a filter bag / filter cage in place will VOID your warranty.

In order to maximize the cleaning efficiency of the cleaner, be sure to clean the filter bag/ filter cage before and after each use.

CAUTION! If the electric vacuum is charging, disconnect the USB charging adaptor from the power source and detach the electric vacuum from the USB charging cable before making any attempts to clean it.

Emptying filter bag / filter cage

1. Place the electric vacuum on a stable surface.
2. Hold the electric vacuum body and turn the canopy anticlockwise until the white marking on the canopy reaches the lock-unlock marking. (Fig.1)
Detach the canopy and remove the filter bag / filter cage from the electric vacuum

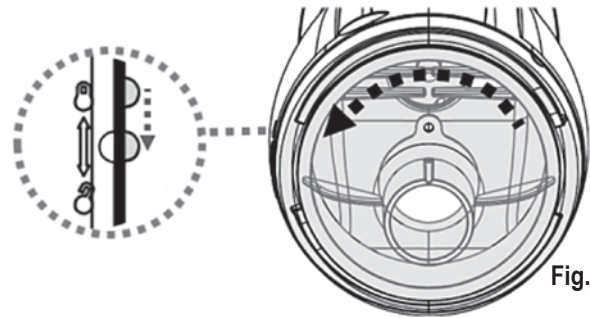


Fig.1

CAUTION! Replace a damaged filter bag / filter cage with a new one before initiating the next operation.

3. Clean out the debris and rinse the filter bag / filter cage with water. If brushing is deemed necessary, use only a soft brush to clean it gently and carefully.
4. Replace the filter bag / filter cage inside the electric vacuum. Reverse the steps to align and attach the canopy to electric vacuum and turn the canopy anticlockwise until it comes to a halt.

MAINTENANCE & STORAGE

NOTE:

1. Battery discharges on its own during storage. The battery should be stored at room temperature, charged to about 30% to 50% of its capacity.
2. You must recharge the battery at least once every three months if it is not frequently used.
 - Disconnect all USB charging peripherals.
 - Detach all accessories from the electric vacuum. If necessary, rinse the electric vacuum and accessories with fresh water. DO NOT use detergent.
 - Be sure to drain the water from the electric vacuum before storing it.
 - Use a damp cloth to clean and dry the electric vacuum and its accessories.
 - Store them in a well-ventilated area away from the sunlight, children, heat, ignition sources, and pool chemicals. Ambient temperature for storage should be 10°C – 25°C (50°F – 77°F). NOTE: A higher temperature may reduce the battery life during storage.

WARNING!

- Under no circumstances should you attempt to disassemble the electric vacuum and replace the impeller, motor and battery by yourself.

CAUTION!

- Excessive heat can damage the battery and reduce the lifespan of your electric vacuum as a result.
- Consult your dealer regarding battery replacement if the following happens:
 - Battery appears damaged or will not charge fully.
 - Battery operation time is noticeably reduced. Observe and record the run times of the first few operations (on a full charge). Use these run times as a reference point to compare with run times of older batteries.
- The battery must be removed from the electric vacuum before it is scrapped.
- The electric vacuum must be disconnected from the supply mains when the battery is being removed.
- The battery is to be disposed safely in accordance with local ordinances or regulations.

NOTE: Incorrect maintenance may reduce the battery life and affect its capacity as a result.

BATTERY DISPOSAL

Your electric vacuum's battery is a maintenance-free, rechargeable lithium-ion battery pack, which must be disposed properly. Recycling is required; please contact your local authorities for more information.

WARNING!

Never attempt to disassemble a battery pack

- Be sure to remove all personal items such as rings, bracelets, necklaces, and watches before you unwire the battery pack from the electric vacuum.
- A battery can produce a short circuit current high enough to weld a ring (or similar items) to metal, potentially causing a severe burn in the process.
- Wear complete eye protection, gloves, and protective clothing before you remove the battery pack.
- Avoid touching the wires altogether and avoid allowing them to make contact with any metal items, which could cause sparking and/or short-circuit the battery.
- Never smoke or allow a spark or flame in the vicinity of the battery or the electric vacuum.
- Do not expose the battery to fire or intense heat as this may result in an explosion.

CAUTION!

If a battery leak occurs, avoid contact with the leaking fluids and place the damaged battery in a plastic bag.

- If leaking fluids come in contact with skin and clothing, wash immediately with plenty of soap and running water.
- If leaking fluids come in contact with eyes, immediately flush them with cool, running water for at least 15 minutes and do not rub them. Seek medical attention immediately.

How to remove the battery pack

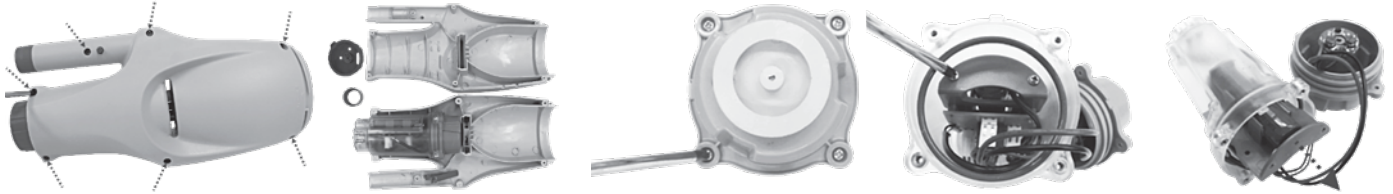
Recommended tools (not included): Philips screwdriver and small slot screwdriver

1. Turn to release the canopy and take out the filter bag / filter cage. Use a small slot screwdriver to detach the ring from the handle. If it is too difficult to detach the ring with a screwdriver, use a cutting plier to cut. Turn the switching knob to open the charging port. Use the small slot screwdriver to pry and detach the middle cover from the switching knob. Use the Philips screwdriver to unfasten the knob-locking screw.

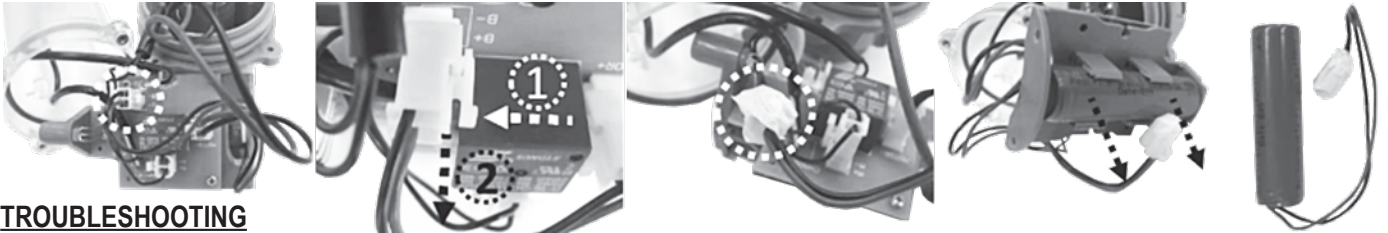


2. Detach the switching knob and use the Philips screwdriver to unscrew all the screws on the main body. Separate the body in two halves to access the main chamber.

3. Use the Philips screwdriver to unfasten the screws. Remove the top half of the chamber to expose the battery enclosure.



4. Remove the complete battery enclosure (with battery installed) from the chamber. In order to detach the battery cable, press on the clip on the connector and pull the cable out. Wrap the connector immediately with insulating tape in order to avoid short circuit caused by the contact of both wire terminals.



TROUBLESHOOTING

Problem	Possible Cause	Solution
Electric vacuum does not capture the debris	Battery is drained	Charge the battery again.
	Impeller is jammed	Power off the electric vacuum and inspect the middle gap of the electric vacuum to see if the impeller is jammed by larger debris. If possible, use a small tool to remove it with intensive care & caution. If necessary, contact your dealer for further instructions. WARNING! Make sure the electric vacuum is powered off when the unit is being serviced.
	Impeller is broken	Contact an authorized dealer regarding replacements.
Debris escapes from the filter	Filter is full	Clean the filter.
	Canopy flap is damaged	Canopy flap works like a door to prevent the debris from escaping from the filter. Contact dealer for replacement part and instructions.
Debris escapes from the filter bag / filter cage	Filter bag / filter cage is damaged.	Replace with a new filter bag / filter cage. Contact an authorized dealer regarding replacements.
Electric vacuum cannot be charged / recharged	Battery is damaged	Contact an authorized dealer regarding replacements. WARNING! DO NOT open the electric vacuum and replace the battery by yourself. This could result in severe or fatal injuries, as well as voiding the warranty.
	USB cable is damaged	Replace with a new USB cable.
	USB charger (not included) is out of order	Replace with a new USB charger.
Pivoting suction head (if provided) does not move smoothly	Wheel is jammed	Clean out the debris from the wheel. Note: Do not attempt to take out the wheels.

Environmental Programmes, WEEE European Directive



Please respect the European Union regulations and help to protect the environment. Return non-working electrical equipment to a facility appointed by your municipality that properly recycles electrical and electronic equipment. Do not dispose them in unsorted waste bins. For items containing removable batteries, remove batteries before disposing of the product.



© 2019 Aqua EZ inc.
All rights reserved. No part of this document may be reproduced or transmitted in any form or by any means, electronic, mechanical, photocopying, recording, or otherwise, without prior written permission of Aqua EZ inc. (V1)

If parts or Technical support is required, please contact our customer service by email or phone
info@aquaez.com 1-877-852-4264

SAVE THESE INSTRUCTIONS



Distributor: Aqua EZ inc.
6100 Wheaton Dr. SW
Atlanta, Ga 30336 USA

MANUAL DE USUARIO

AQUA EZ®

Modelo: RPV5
Fabricado en China



AVISOS E INSTRUCCIONES DE SEGURIDAD

Lea y siga todas las instrucciones de este manual y del equipo.

De lo contrario, podría lesionarse y siga todas las instrucciones de este manual y del equipo

GUARDE ESTAS INSTRUCCIONES

¡ATENCIÓN!

- Este dispositivo no es un JUGUETE. Mantenga a los niños lejos de este limpiafondos y de sus accesorios.
- Los niños no deben usar este producto.
- Este limpiafondos no está diseñado para ser usado por personas con discapacidad física, sensorial o mental, ni por personas con falta de experiencia y conocimiento, a menos que hayan recibido instrucciones sobre el dispositivo y sean supervisadas por la persona responsable de su seguridad.
- Asegúrese de que el limpiafondos está totalmente sumergido en el agua antes de usarlo. El nivel mínimo de agua necesario para usar el dispositivo debe estar por encima de la perilla del limpiafondos cuando en posición vertical. Este producto está diseñado solo para uso en una piscina o spa. Cualquier otro uso anulará la garantía del producto.
- El limpiafondos debe ser suministrado solo con "circuito de tensión extra-baja de seguridad" de acuerdo con la marca aplicada en él mismo.
- La profundidad máxima a la que se puede usar este limpiafondos es de 2 metros.
- Temperatura máxima del agua: 5 °C – 40 °C
- No use este limpiafondos si detecta cualquier daño.
- Sustituya las piezas dañadas lo antes posible. Sólo debe usar piezas certificadas por el distribuidor o el fabricante.
- Si se utiliza un adaptador de carga USB (no incluido), asegúrese de conectarlo a la fuente de alimentación a través de un interruptor diferencial (ID) (también conocido como RCD) / un interruptor de circuito por defecto a tierra (GFCI, por sus siglas en inglés). En caso de duda, consulte a un electricista profesional cualificado.
- Desconecte el limpiafondos de la alimentación eléctrica antes de realizar cualquier operación de mantenimiento, como la limpieza del filtro.
- La batería instalada es un paquete de baterías de iones de litio recargable. Nunca debe intentar sustituir el paquete de baterías.
- Este limpiafondos solo debe ser cargado con el cable de carga USB provisto junto con este producto.
- Mientras el limpiafondos se esté cargando, NO manipularlo con las manos o pies mojados y sin zapatos.
- No debe usar este limpiafondos mientras la piscina es utilizada.
- NO use el limpiafondos sin un saco de filtro / cesta filtrante instalada, ya que de lo contrario la garantía quedará anulada.
- Peligro de atrapamiento por succión: este limpiafondos genera succión. No permita que su pelo, cuerpo o prendas sueltas entren en contacto con el orificio de succión del limpiafondos cuando esté en funcionamiento.
- No introduzca nunca partes del cuerpo, ropa u otros objetos en las aberturas y piezas móviles del limpiafondos.
- NO use este limpiafondos para recoger sustancias tóxicas, inflamables o líquidos combustibles como gasolina, ni tampoco cerca de gases explosivos o inflamables.
- No intente, bajo ninguna circunstancia, desmontar el limpiafondos y sustituir el propulsor, el motor y la batería por sí mismo.
- Nunca debe introducir ningún objeto para tocar el propulsor.

¡PRECAUCIÓN!

- NO intente usar el limpiafondos para limpiar cualquier otra superficie que no sea su piscina/spa.
- Sólo debe usar accesorios originales provistos junto con este producto.
- NO use este limpiafondos justo después de aplicar el tratamiento de choque a la piscina. Se recomienda dejar circular el agua de la piscina durante al menos 24-48 horas.
- No se recomienda usar este limpiafondos simultáneamente con otro limpiafondos o limpiador de piscina.
- Evite recoger objetos duros y afilados con este dispositivo. Podrían dañar el limpiafondos y el filtro.
- Tenga cuidado al limpiar las escaleras de la piscina.
- Para evitar dañar el cable de carga USB, no transporte el limpiafondos por el cable ni tire del cable para desconectarlo de la fuente de alimentación y del producto.
- Recargue el limpiafondos en una zona interior, con buena ventilación y lejos de la luz solar directa, calor, y fuentes de ignición, fuera del alcance de los niños, y con una temperatura ambiente de entre 5 °C y 35 °C.
- NO deje el limpiafondos cargando durante más de 10 horas.
- Si no va a usar el limpiafondos durante un periodo de tiempo prolongado, sepárelo de la base de carga y use un paño húmedo para limpiar y secar el limpiafondos y sus accesorios. Asegúrese de cargar el limpiafondos alrededor de 30% a 50% de la capacidad de su batería antes de guardarlo. Guárdelo en una zona bien ventilada y libre de luz solar, calor, fuentes de ignición y productos químicos para piscina, fuera del alcance de los niños. No deje nunca el limpiafondos conectado si va a guardarlo durante un periodo de tiempo prolongado. Recargue el limpiafondos cada tres meses.

Los avisos y precauciones anteriores pueden no incluir todas las posibles situaciones de riesgo y/o lesiones graves.

Los propietarios de piscina / spa deben tener siempre mucho cuidado y sentido común al utilizar el producto.

PRIMEROS PASOS

AVISO IMPORTANTE: Recargue completamente el limpiafondos antes de usarlo por primera vez.

Carga de la batería

NOTA: Requiere un adaptador de carga usb (no incluido) con una salida de seguridad de 5.0v y 1.0 A.

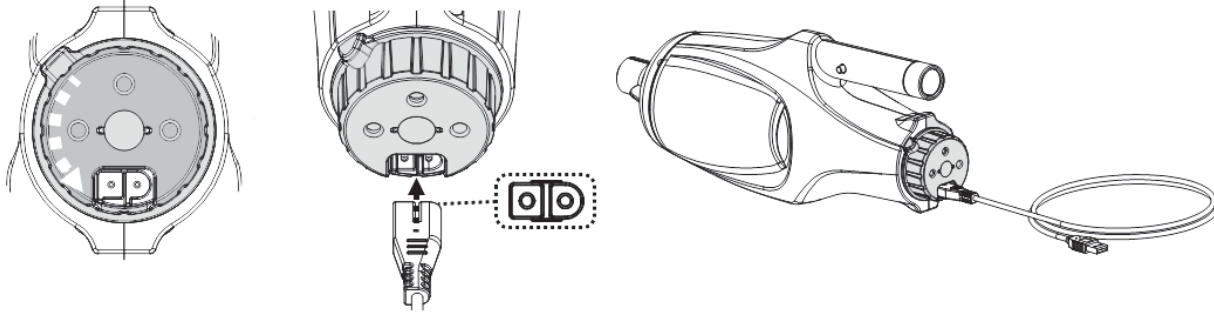
En el mercado de la UE, se debe utilizar un adaptador de carga USB con certificación CE.

En el mercado de Estados Unidos y Canadá, se debe utilizar un adaptador de fuente de alimentación limitada (LPS, por sus siglas en inglés), o adaptador de tipo clase 2, certificado según las normas de Norteamérica (como UL 60950-1, CSA C22.2 No. 60950-1, UL 1310 y C22.2 No. 223).

¡ATENCIÓN!

- No utilice el cable de carga USB / adaptador de carga USB si se detecta algún daño.
- Asegúrese de que el limpiafondos y la toma de carga están completamente limpios y secos antes de iniciar la recarga.
- Consulte el manual de instrucciones del adaptador de carga USB (no incluido) para obtener instrucciones sobre seguridad y funcionamiento.

1. Coloque la unidad sobre una superficie estable. Gire la perilla en sentido contrario a las agujas del reloj hasta que se detenga y expone completamente la toma de carga. Alinee e inserte el cable de carga USB en la toma de carga.



2. Conecte el cable de carga USB al adaptador de carga y, a continuación, conecte el adaptador de carga a la fuente de alimentación.

¡ATENCIÓN!

- Cargue completamente la batería del limpiafondos (alrededor de 7-8 horas) antes de usarlo por primera vez.
- Desconecte siempre el adaptador de carga USB de la fuente de alimentación luego que termine la carga.
- Desactive inmediatamente el dispositivo y desconecte el adaptador de carga USB de la fuente de alimentación si detecta alguna de las siguientes condiciones:
 - Olor ofensivo o inusual;
 - Calor excesivo;
 - Deformación, grietas o fugas;
 - Humo.

1. Conecte el adaptador de carga USB a la fuente de alimentación. Cuando el limpiafondos empiece a cargarse, el indicador LED de carga en curso del limpiafondos se pondrá rojo. Normalmente se tardan unas 4,5 - 6 horas en conseguir una carga completa. El piloto indicador se pondrá verde cuando el limpiafondos esté casi cargado al máximo.

2. Cuando la carga haya terminado, desconecte el adaptador de carga USB de la fuente de alimentación y desenchufe el cable USB del adaptador y de la toma de carga.

En condiciones normales, el limpiafondos se puede usar hasta 30 minutos si tiene carga completa (recargado durante 4,5 - 6 horas).
NOTA: Limpie el filtro regularmente. Demasiada suciedad en el filtro aumenta el trabajo del motor y de consecuencia disminuye el tiempo de funcionamiento.

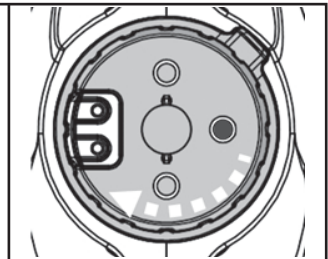
NOTA: La batería recargable de iones de litio está clasificada como un producto consumible. Tiene una vida útil limitada y perderá gradualmente su capacidad de retener la carga. Así pues, el tiempo de funcionamiento del limpiafondos se reducirá gradualmente a medida que se cargue y se descargue el limpiafondos por su uso.

NOTA: Deje reposar el limpiafondos durante unos 30 o 40 minutos antes de volverlo a cargar.

OPERACIÓN

Antes de sumergir el limpiafondos en agua, gire la perilla en el sentido de las agujas del reloj hasta que se detenga (oír un "clic"), exponiendo los dos pernos de detección de agua y un punto verde en el lado derecho. Tan pronto como ambos pernos entren en contacto con el agua, el motor comenzará a funcionar. De forma similar, se detendrá cuando los pernos ya no estén en contacto con el agua.

NOTA: Nunca intente hacer contacto con ambos pernos con otra cosa que no sea agua limpia.



¡PRECAUCIÓN!

- NO cubra la ranura lateral de la carcasa cuando el limpiafondos se encuentre en funcionamiento. El propulsor/motor podría dañarse.
- NO deje el limpiafondos en el agua cuando no lo esté usando.

¡PRECAUCIÓN! Asegúrese de que el limpiafondos siempre esté apuntando hacia abajo al sacarlo de la piscina. Si no, el conector de la pértiga podría doblarse y dañarse.

Para sacar el limpiafondos de la piscina/spa, levántelo apuntando hacia abajo para que el agua que contenga salga por la válvula de drenaje.

Enjuague el limpiafondos con agua limpia tras cada uso. NO use detergentes.

Cómo retirar el paquete de baterías

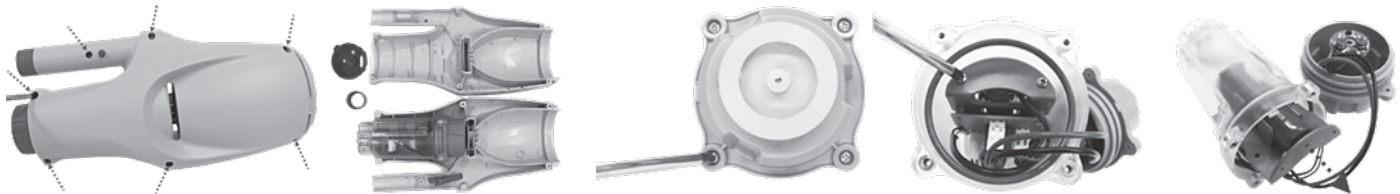
Herramientas recomendadas (no incluidas): destornillador Philips y pequeño destornillador de ranura

1. Gire el contenedor transparente para soltarlo el y saque el saco de filtro / la cesta filtrante. Utilice un pequeño destornillador de ranura para separar el anillo de la manija. Si es demasiado difícil separar el anillo con el destornillador, utilice un alicate de corte para cortarlo. Gire la perilla para abrir la toma de carga. Utilice el pequeño destornillador de ranura para levantar y separar la carcasa central de la perilla. Utilice el destornillador Philips para desatornillar el tornillo de fijación de la perilla.

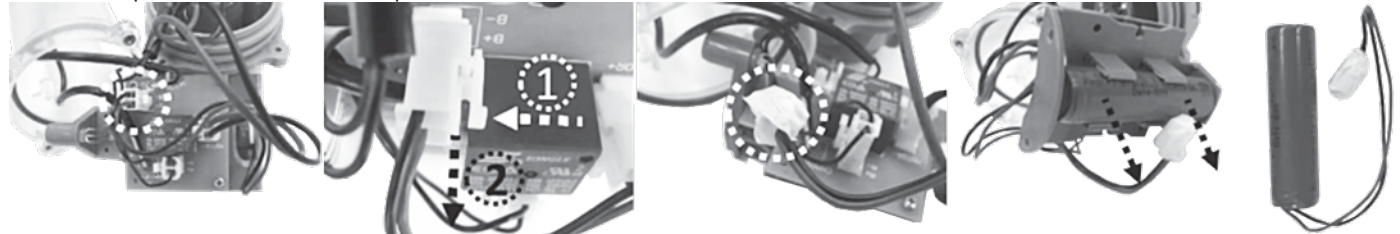


2. Saque la perilla y utilice el destornillador Philips para desatornillar todos los tornillos del cuerpo principal. Separe las dos mitades del cuerpo para acceder a la cámara principal.

3. Use el destornillador Philips para destornillar los tornillos de la cámara principal. Saque la mitad superior de la cámara principal para exponer el compartimiento de la batería.



4. Retire la carcasa completa de la batería (con la batería instalada) de la cámara principal. Para desconectar el cable de la batería, presione el clip en el conector y saque el cable. Envuelva inmediatamente el conector con cinta aislante para evitar cortocircuitos causados por el contacto de los dos polos del cable.



RESOLUCIÓN DE PROBLEMAS

Problema	Posible causa	Solución
El limpiafondos no captura la suciedad	La batería se está acabando	Vuelva a cargar la batería.
	El propulsor está atascado	Apague el limpiafondos y compruebe visualmente el hueco situado en el centro del limpiafondos para ver si el propulsor está atascado a causa de detritos grandes. Si es posible, use una herramienta pequeña para retirar los detritos con cuidado. Si es necesario, contacte con su distribuidor para obtener más instrucciones.
	El propulsor está roto	Contacte con un distribuidor autorizado para sustituir el propulsor.
	El filtro está lleno	Limpie el filtro.
La suciedad se sale del filtro	La solapa de la boquilla de aspiración está rota	La solapa de la boquilla de aspiración actúa como una compuerta, evitando que la suciedad salga del filtro. Contacte con su distribuidor para reemplazo de piezas y recibir instrucciones.
La suciedad se sale del saco de filtro / cesta filtrante	El saco de filtro / cesta filtrante está dañado	Sustitúyalo por un nuevo saco de filtro / cesta filtrante.
El limpiafondos no se carga / recarga	La batería está dañada	Contacte con su distribuidor autorizado para sustituir la batería.
	El cable de carga USB está dañado	¡ATENCIÓN! NO abra el limpiafondos ni sustituya la batería por si mismo. Podría sufrir heridas graves o fatales y la garantía quedaría anulada. Sustitúyalo por un nuevo cable de carga USB.
	El adaptador de carga USB (no incluido) no funciona	Sustitúyalo por un nuevo adaptador de carga USB.
La cabeza de aspiración (si incluida) no se mueve con suavidad	La ruedas de la cabeza de aspiración están atascadas	Limpie la suciedad de las ruedas. Nota: no intente en sacar las ruedas.

Programas medioambientales, Directiva Europea WEEE



Respete las regulaciones de la Unión Europea y ayúdenos a proteger el medio ambiente. Devuelva los equipos eléctricos desechados al punto indicado por su municipio, en el que se recicle correctamente el equipo eléctrico y electrónico. No lo deposite en contenedores de basura sin separar. En el caso de equipos que incluyan pilas o baterías amovibles, sáquelas antes de desechar el equipo.



© 2019 Aqua EZ inc.

Todos los derechos reservados. Queda prohibida la reproducción o transmisión parcial o total de este documento de ninguna forma y por ningún medio electrónico, mecánico, en fotocopia, grabación o otros, sin la autorización previa por escrito de Aqua EZ inc. (V1)

Si necesita piezas o soporte técnico, póngase en contacto con nuestro servicio de atención al cliente por correo electrónico o teléfono info@aquez.com 1-877-852-4264

GUARDE ESTAS INSTRUCCIONES



Distribuidor: Aqua EZ inc.
6100 Wheaton Dr. SW
Atlanta, Ga 30336 USA

VACIADO DEL FILTRO

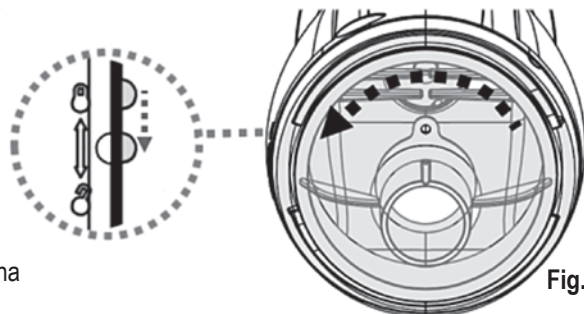
¡ATENCIÓN! El uso del vacío eléctrico sin bolsa de filtro / jaula de filtro en su lugar **ANULARÁ** su garantía.

Para maximizar la eficiencia del lavado, asegúrese de limpiar el saco de filtro / cesta filtrante antes y después de cada uso.

¡PRECAUCIÓN! Si el limpiafondos se está recargando, desconecte el cable de carga USB de la fuente de alimentación y desconecte el limpiafondos del cable de carga USB antes de intentar limpiarlo.

El vaciamiento del bolso con filtro / filtra la jaula

1. Coloque el limpiafondos sobre una superficie estable.
2. Aguante el cuerpo del limpiafondos y gire el contenedor transparente en sentido contrario a las agujas del reloj hasta que la marca blanca en el contenedor transparente alcance la marca de desbloqueo. (Fig.1) Retire el contenedor transparente y luego saque el saco de filtro / cesta filtrante del limpiafondos.



¡PRECAUCIÓN! Reemplace una bolsa de filtro / jaula de filtro dañada por una nueva antes de iniciar la siguiente operación.

3. Limpie la suciedad y enjuague el saco de filtro / la cesta filtrante con agua. Si cree necesario cepillarla, use un cepillo suave para limpiarla con cuidado. **NO** aplique presión a la red de la cesta del filtro.
4. Recoloque el saco de filtro / la cesta dentro del limpiafondos. Siga los pasos anteriores a la inversa para alinear y sujetar el contenedor transparente a el limpiafondos y gire el contenedor transparente en sentido contrario a las agujas del reloj hasta que se detenga.

MANTENIMIENTO Y ALMACENAMIENTO

NOTA:

1. La batería se descarga durante los periodos de almacenamiento. Asegúrese de cargar la batería del limpiafondos hasta 30% – 50% de su capacidad antes de guardarlo.
2. Debe recargar la batería al menos una vez cada tres meses si no la va a usar con frecuencia.
 - Desenchufe todos los periféricos USB de carga.
 - Desmonte todos los accesorios del limpiafondos. Si fuera necesario, enjuague el limpiafondos y sus accesorios con agua limpia. **NO** use detergente.
 - Asegúrese de drenar el agua del limpiafondos antes de guardarlo.
 - Use un paño húmedo para limpiar y secar el limpiafondos y sus accesorios.
 - Guárdelos en una zona bien ventilada y libre de luz solar, calor, fuentes de ignición y productos químicos para piscina, fuera del alcance de los niños. La temperatura ambiente de almacenamiento debe ser de 10 °C - 25 °C. NOTA: Una temperatura de almacenamiento superior podría reducir la vida útil de la batería.

¡ATENCIÓN!

- Bajo ninguna circunstancia debe intentar desmontar el vacío eléctrico y sustituir el impulsor, el motor o la batería por usted mismo.

¡PRECAUCIÓN!

- El calor excesivo puede dañar la batería y reducir la vida útil del limpiafondos.
 - Consulte su distribuidor para reemplazo de la batería si ocurre lo siguiente:
 - La batería parece dañada o no se carga completamente.
 - El tiempo de funcionamiento de la batería se ha reducido considerablemente. Observe y anote el tiempo de funcionamiento durante los primeros usos (con una carga completa). Use esta información como referencia para comparar el tiempo de funcionamiento de las baterías más antiguas.
 - La batería debe sacarse del limpiafondos antes de ser desechado.
 - El limpiafondos debe estar desconectado de la alimentación eléctrica antes de retirar la batería.
 - La batería debe desecharse de manera segura y de acuerdo con las ordenanzas o regulaciones locales.
- NOTA: Un mantenimiento incorrecto puede reducir la vida útil de la batería y afectar a su capacidad.

DISPOSICIÓN DE LA BATERÍA

Su limpiafondos está equipado con un paquete de baterías de iones de litio recargable que no requiere mantenimiento y que debe ser desechado correctamente. Su reciclaje es obligatorio; contacte con su autoridad local para obtener más información.

¡ATENCIÓN!

Nunca debe intentar desmontar un paquete de baterías.

- Retire todos los objetos personales, como anillos, pulseras, collares y relojes, antes de desconectar el paquete de baterías del limpiafondos.
- Una batería puede generar una corriente de cortocircuito lo suficientemente elevada como para soldar un anillo (o objeto similar) al metal, potencialmente causando graves quemaduras.
- Al retirar el paquete de baterías debe llevar gafas protectoras, guantes y ropa protectora.
- Evite tocar los cables y que éstos entren en contacto con cualquier objeto metálico, lo cual podría causar chispas y/o un cortocircuito en la batería.
- No fume ni permita la presencia de chispas o llamas cerca de la batería ni del limpiafondos.
- No exponga la batería al fuego o a calor intenso, ya que se podría producir una explosión.

¡PRECAUCIÓN!

Si se produce una fuga, evite entrar en contacto con los líquidos y coloque la batería dañada en una bolsa de plástico.

- Si los líquidos de la fuga entran en contacto con su piel o ropa, lávese inmediatamente con mucha agua y jabón.
- Si los líquidos de la fuga entran en contacto con sus ojos, no los frote; láveselos inmediatamente con agua fresca durante un mínimo de 15 minutos sin frotar. Busque atención médica lo antes posible.